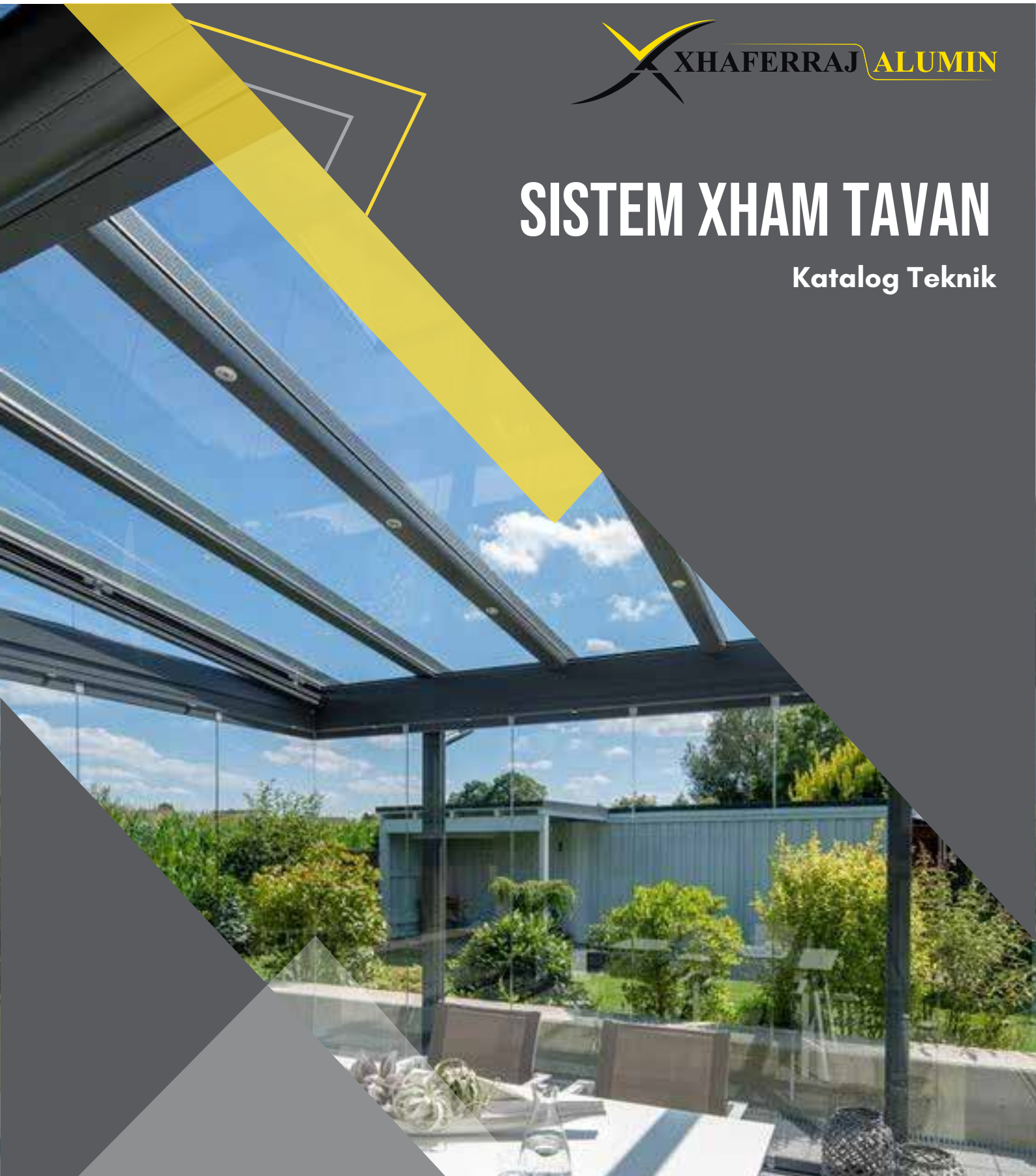




SISTEM XHAM TAVAN

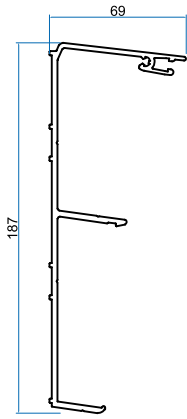
Katalog Teknik



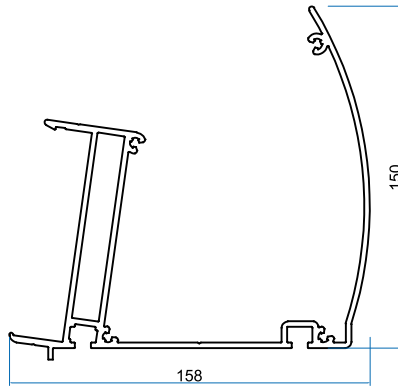




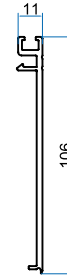
PROFİLET E SİSTEMİT XHAM TAVAN



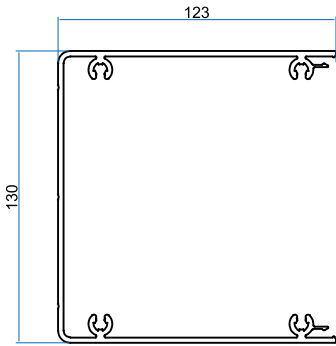
Profile No	kg/m
2004	2,555



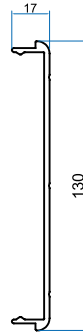
Profile No	kg/m
2012	4,113



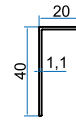
Profile No	kg/m
2011	0,890



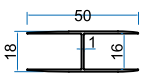
Profile No	kg/m
2009	3,050



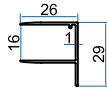
Profile No	kg/m
2010	1,025



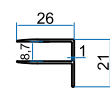
Profile No	kg/m
2394	0,177



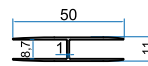
Profile No	kg/m
2539	0,290



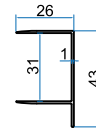
Profile No	kg/m
2538	0,210



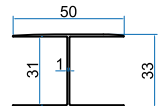
Profile No	kg/m
2542	0,180



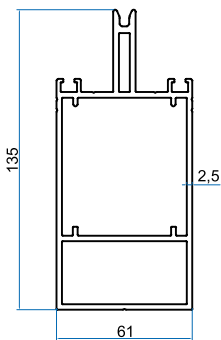
Profile No	kg/m
2543	0,230



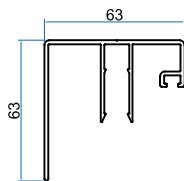
Profile No	kg/m
2544	0,240



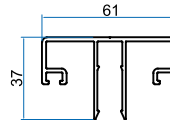
Profile No	kg/m
2545	0,285



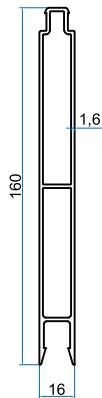
Profile No	kg/m
2005	3,230



Profile No	kg/m
2008	1,060



Profile No	kg/m
2007	0,925



Profile No	kg/m
2546	1,591



Kapse e pasme e xham tavanit
Winter Garden Rear Hanger

Product Code: 2004

Weight kg/m: 2,555
(187 x 69 x 3mm)



Kapak i profilit të kolonës
Winter Garden Foot Cover Profile

Product Code: 2010

Weight kg/m: 1,025
(130 x 17 x 2,4mm)



Profil kolone
Winter Garden Foot Profile

Product Code: 2009

Weight kg/m: 3,050
(130 x 124 x 2,4mm)



Ulluk

Winter Garden Radius Gutter

Product Code: 2012

Weight kg/m: 4,113
(150 x 158 x 2,5mm)



Kasë anësore e mbylljes së xhamit

Winter Garden Cover Profile (Right and Left)

Product Code: 2008

Weight kg/m: 1,060
(63 x 63 x 1,8mm)



Profil kapaku i traut

Winter Garden Cover Profile

Product Code: 2007

Weight kg/m: 0,925
(37 x 63 x 1,8mm)



Tra

Winter Garden Glass Holder

Product Code: 2005

Weight kg/m: 3,230
(135 x 61 x 2,5mm)



Kapak Ulluku

Winter Garden Gutter and
Rear Inner Cover

Product Code: 2011

Weight kg/m: 0,890
(106 x 11 x 2,6mm)



15x160 Profil mbyllës anësor
15x160 Paneling

Product Code: 2546

Weight kg/m: 1,591
(160 x 16 x 1,6mm)



Profil F (8 mm)

8mm F Profile

Product Code: 2542

Weight kg/m: 0,180
(21 x 26 x 1mm)



Profil H (8 mm)
8mm H Profile

Product Code: 2543

Weight kg/m: 0,230
(11 x 50 x 1mm)



Profil F (16 mm)
16mm F Profile

Product Code: 2538

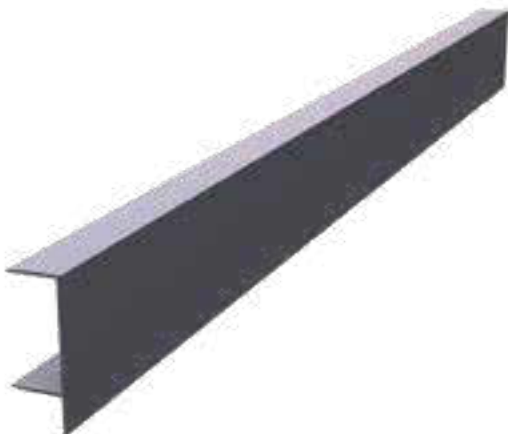
Weight kg/m: 0,210
(28,5 x 16 x 1mm)



Profil F (24 mm)
16mm H Profile

Product Code: 2539

Weight kg/m: 0,290
(16 x 50 x 1mm)



Profil F (24 mm)
24mm F Profile

Product Code: 2544

Weight kg/m: 0,240
(43 x 26 x 1mm)



Profil H (24 mm)
24mm H Profile

Product Code: 2545

Weight kg/m: 0,285
(33 x 50 x 1mm)



**Kapak lidhës për pjesën
ulluk -kolon**

Covered Foot Top Connection Plate

Product Code: KIS-02

Mold Number: Used in profile no 2009, 2010



Kapak kolone

Covered Foot Bottom Connection Plate

Product Code: KIS-03

Mold Number: Used in profile no 2009, 2010



Lidhëse për pjesën mbrapa

Rear Hanger Plate

Product Code: KIS-04

Mold Number: Used in profile no 2004



Aksesor ulluku në formë oval

Oval Gutter Sheet

Product Code: KIS-05

Mold Number: Used in profile no 2012



Lamë

Lama Nut Sheet

Product Code: KIS-06

2012 Gutter Covered Leg Connection

Aksesorët e sistemit xham tavan



Gominë e sistemit xham tavan
Print Gasket

Product Code: KIS-09

1 Top: 174 mt/15 kg
1 Roll: 174 mt/15 kg



Gominë për profilin 2004 e sistemit xham tavan
Back Print Gasket

Product Code: KIS-10

1 Top: 41 mt/15 kg
1 Roll: 41 mt/15 kg



Kulluese uji
75 Filter

Product Code: KIS-08



Transformator

Product Code: KIS-21



Led
24V Led

Product Code: KIS-22

Box Piece: 100
Box Piece: 100



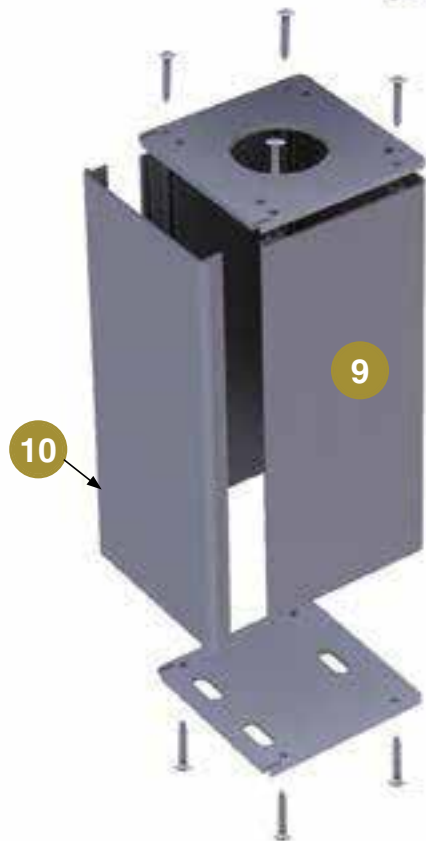
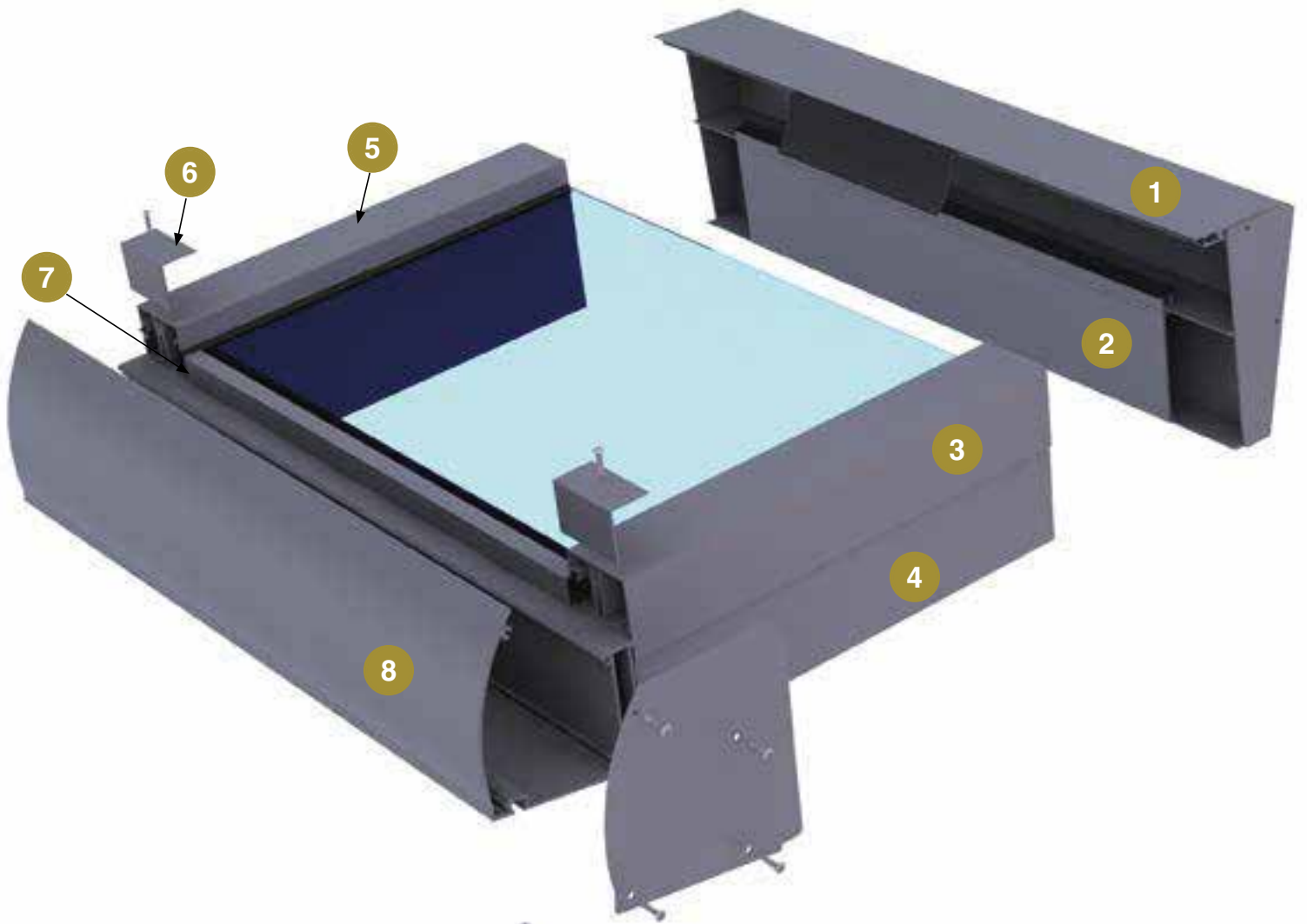
10 x 80 Lamë
10x80 Steel Flat Bar



Kabëll
2x0.75 Nyaf Cable

Product Code: KIS-23

1 Top: 100 mt
1 Roll: 100 mt



- 1 2004
- 2 2011
- 3 2008
- 4 2005
- 5 2007
- 6 2394
- 7 2542
- 8 2012
- 9 2009
- 10 2010



MONTIMI I SISTEMIT XHAM TAVAN



MONTIMI I KOLONAVE TË SISTEMIT XHAM TAVAN
ANTORYUM OVAL FOOT CONNECTION





+355 67 60 40 251

+355 68 90 40 258



xhaferrajalumin@gmail.com



www.xhaferrajalumin.al



Adresa 1: Autostrada Tiranë-Durrës | Kashar | Mëzez

Adresa 2: Durrës | Spitalë | Rruga "Miqësia"

Adresa 3: Durrës | tek mbikalimi i Shkozetit | Rruga "Bajram Tusha"