



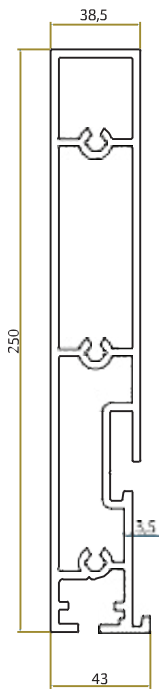
SISTEMI BIO-PERGOLA

Katalog Teknik

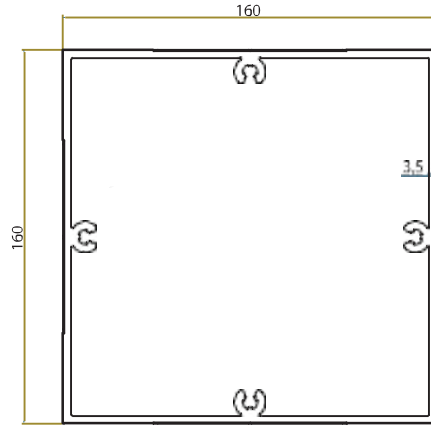




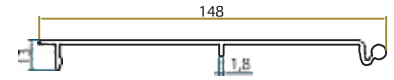
www.xhaferrajalumin.al



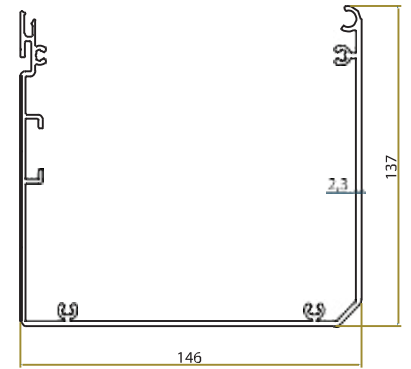
Cod: 2088 - 7,213 kg/m



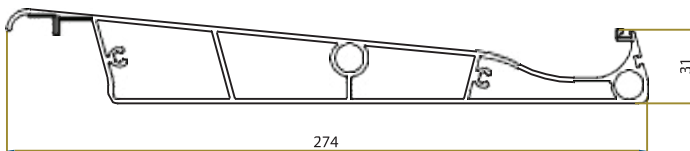
Cod: 2087 - 6,819 kg/m



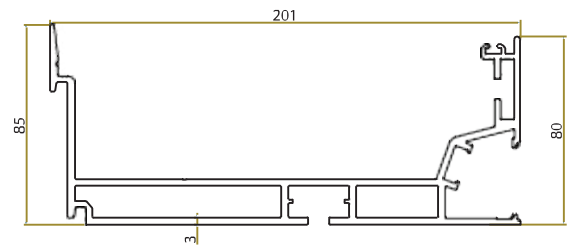
Cod: 2091 - 0,915 kg/m



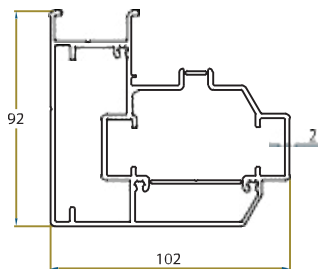
Cod: 2090 - 3,075 kg/m



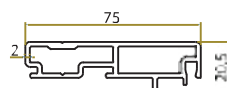
Cod: 2096 - 3,997 kg/m



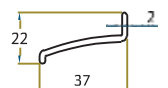
Cod: 2089 - 4,950 kg/m



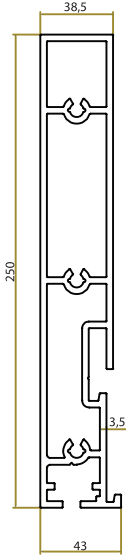
Cod: 2279 - 3,005 kg/m



Cod: 2280 - 1,150 kg/m



Cod: 2092 - 0,323 kg/m



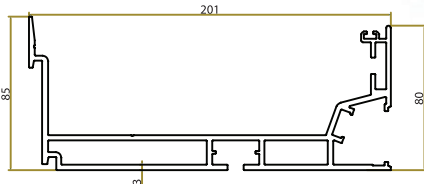
Cod: 2088 - 7,213 kg/m
250'lik Oluk Dikmesi
250' Groove Sewing



Profil anesor i ullukut
250 Groove Seëing

Product Code: 2088

Weight kg/m: 7,213
(250 x 38,5 x 3,5 mm)



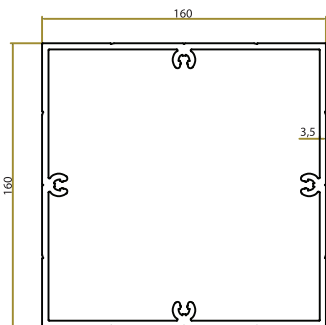
Cod: 2089 - 4,950 kg/m
Oluk Ek
Additional Gutter



Ulluk
Additional Gutter

Product Code: 2089

Weight kg/m: 4,950
(85 x 201 x 3 mm)



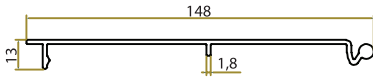
Cod: 2087 - 6,819 kg/m
160x160 Dikme Profili
160x160 Sewing Profile



Kolonë 160x160
160x160S eëing Profile

Product Code: 2087
Weight kg/m: 6,819

(160 x 160 x 3,5 mm)



Cod: 2091 - 0,915 kg/m
Motor Kutusu Kapağı
Engine Box Cover

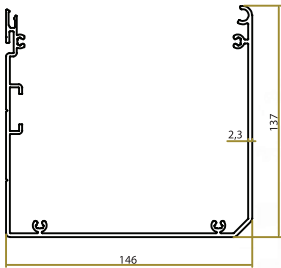


Kapaku i kases se motorrit

Engine Box Cover

Product Code: 2091

Weight kg/m: 0,915
(13 x 148 x 1,8 mm)



Cod: 2090 - 3,075 kg/m
Motor Kutusu
Engine Box

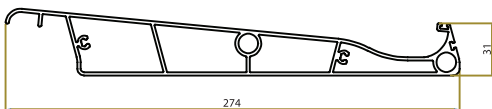


Kasa e motorrit

Engine Box

Product Code: 2090

Weight kg/m: 3,075
(146 x 137 x 2,3 mm)



Cod: 2096 - 3,997 kg/m
Panel Profili
Panel Profile

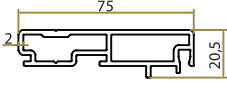


Flete e levizshme

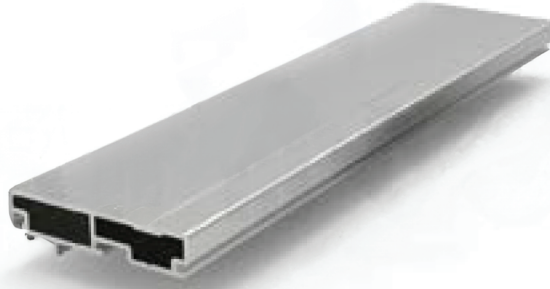
Panel Profile

Product Code: 2096

Weight kg/m: 3,997
(274 x 31 x 2 mm)



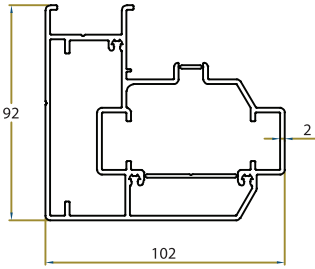
Cod: 2280 - 1,150 kg/m
Ray Üstü Kapak Profili
Rail Top Cover Profile



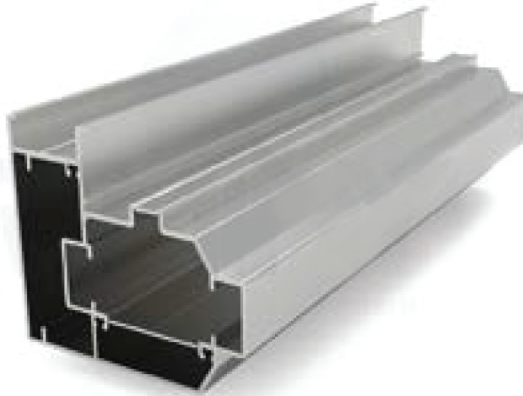
Profil kapaku i traüt siper
Rail Top Cover Profile

Product Code: 2280

Weight kg/m: 1,150
(75 x 20,5 x 2 mm)



Cod: 2279 - 3,005 kg/m
Ray Profili
Rail Profile

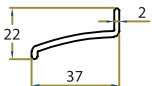


Profil Trau

Rail Profile

Product Code: 2279

Weight kg/m: 3,005
(102 x 92 x 2 mm)



Cod: 2092 - 0,323 kg/m
Panel Arkası
Behind the Panel



Fletë fikse

Behind the Panel

Product Code: 2092

Weight kg/m: 0,323
(37 x 22 x 2 mm)



**Kapak anesor
i motorrit djathtas**

Engine Side Cover Right

Product Code: B20 -001

Box Piece:



**Kapak anesor i
motorrit majtas**

Engine Side Cover Left

Product Code: B20 -002

Box Piece:



**Kapak anësor
i fletës djathtas**

Panel Side Cover Right

Product Code: B20 -003



**Kapak anësor
i fletës majtas**

Panel Side Cover Left

Product Code: B20 -004



**Aksesori i sistemit te
hapjes gershere nga ana
e djathte**

Product Code: B20 -005



**Aksesori i sistemit te
hapjes gershere nga
ana e majte**

Product Code: B20 -006



**Lidhëse e brëndshme
e këndit**

Corner Joiner Interior

Product Code: B20 -007 Box



**Lidhëse e jashtme
e këndit**

Corner Joiner outer

Product Code: B20 -008



Tetëkëndor me dhembëza

Octagonal Gear

Product Code: B20 -009



Led

Led

Product Code: B20 -010



Rrip trau

Timing Belt

Product Code: B20 -011



Guzhinete

Roller

Product Code: B20 -012



Foleja anësore e boshtit

Bearing Housing

Product Code: B20 -013



Aksesor i boshtit tetëkëndor

Seventy Pipe Head

Product Code: B20 -014



Transformator i jashtëm

External Transformer

Product Code: B20 -015



Aksesor i tendosjes së rripit të tërheqjes

Belt Pulling Apparatus

Product Code: B20 -016



Përforcuese e fletës nga ana e djathtë

Panel Fixing Right

Product Code: B20 -017



Aksesor per shtytjen e rripit

Belt Pusher

Product Code: B20 -018



Rrul inox

Panel center stud

Product Code: B20 -019



Kunjë lidhëse e aksesorit gërshër me kapakun mbyllës të fletës

Panel wheel stud and medium long bushing

(10MMx115MM)

Product Code: B20 -020



Kunjë lidhëse e aksesorit gërshër me kapakun mbyllës të fletës

(12mmx55mm)
Panel wheel stud
(12mmX55MM)

Product Code: B20 -021



Kunjë që lidh kapakun e panelit me mekanizimin lëvizës

Panel Top Front Stud

Product Code: B20 -022



Kunjë për fletën e mesit

Panel Center Stud

Product Code: B20 -023



Tapë për fletën

Panel wheel and medium long stud

Product Code: B20 -024



**Tapë mbyllëse
e gjatë për fletën**

Panel Cover Long Bushing

Product Code: B20 -025



**Tapë mbyllëse
e shkurtër për fletën**

Panel Cover Short Bushing

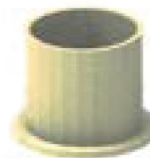
Product Code: B20 -026



**Tapë mbyllëse
e shkurtër 12 për fletën**

Panel Cover Wheel Short Bushing

Product Code: B20 -027



**Tapë mbyllëse e aksesorit
të sistemit gërshtë**

Scissors Pulley Long Bushing

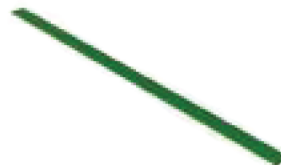
Product Code: B20 -028



Kapak Led-i

Led Cover

Product Code: B20 -029



Plastikë e kanalit të traut

Rail Channel Plastic

Product Code: B20 -030



**Kapak i sipërm
i këndit të kolonës**

Strut Corner Top Cover

Product Code: B20 -031



**Aksesor lidhës i
kolonës me ullukun**

Corner Foot Top Connection

Product Code: B20 -032



Aksesor lidhës i poshtëm me kolonën

Corner Foot Bottom Connection

Product Code: B20 -033



Lidhëse anësore e kolonës sipër dhe poshtë

Corner Foot Middle Upper Connection

Product Code: B20 -034



Lidhëse e sipërme e kolonës së mesme

Middle Foot Upper Connection

Product Code: B20 -035



Lidhëse e kolonës poshte

Corner and Middle Bottom Connection

Product Code: B20 -036



Kapak anesor i traut
Rail Front Belt Adjustment Cover

Product Code: B20 -037



Bosht 70
Seventy Pipe

Product Code: B20 -038



Furqaqe
Rail Bristle Brush

Product Code: B20 -039



Gominë për fletën
Panel EPDM Gas ket

Product Code: B20 -040

BIO - PERGOLA AKSESOR



Gominë ulluku

Gro ove EPDM Gasket

Product Code: B20-041



Vide M8X40

M8x40 Special Corner Bolt

Product Code: B20-044



Vide M8X20

M8x20 Countersunk Inbus Stainless

Product Code: B20-045



Vide inoxi 6,3x32

6,3x32 YHB (Inox Hair Screë)

Product Code: B20-046



Vide Inoxi 4.8x25

4.8x25 YSB (Inox Hair Screë)

Product Code: B20-047



Vide inoxi 4.8x45

4.8x45 YSB MUV (Inox Hair Screë)

Product Code: B20-048



VIDE M5X5

Setskur M5x5 Inox

Product Code: B20-049



Dado M8

M8 Flat Nut

Product Code: B20-050



Motorr Somfy 120 NM

120 NM Somfy Motor

Product Code: RTS-120 / iO-120



Telekomandë Somfy

Somfy Control

Product Code: B20-043



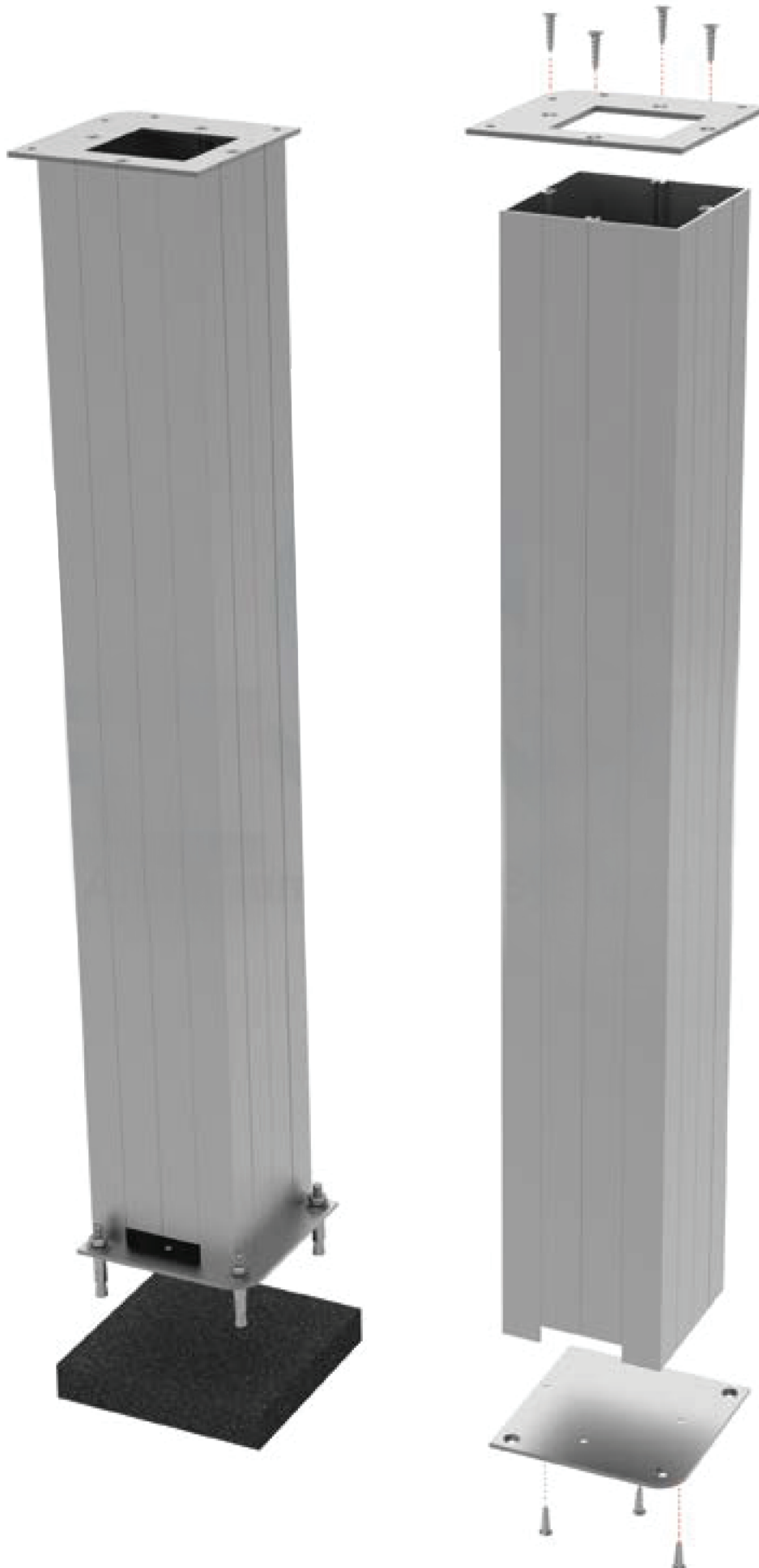
*Bazament motorri Somfy
Somfy Zamak Apparatus*

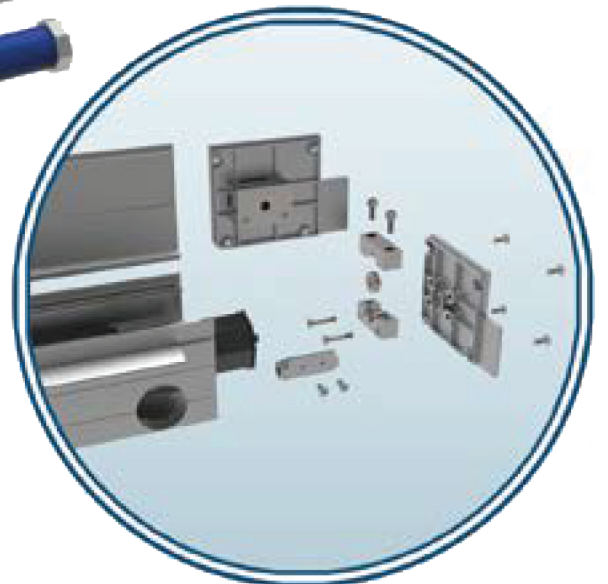
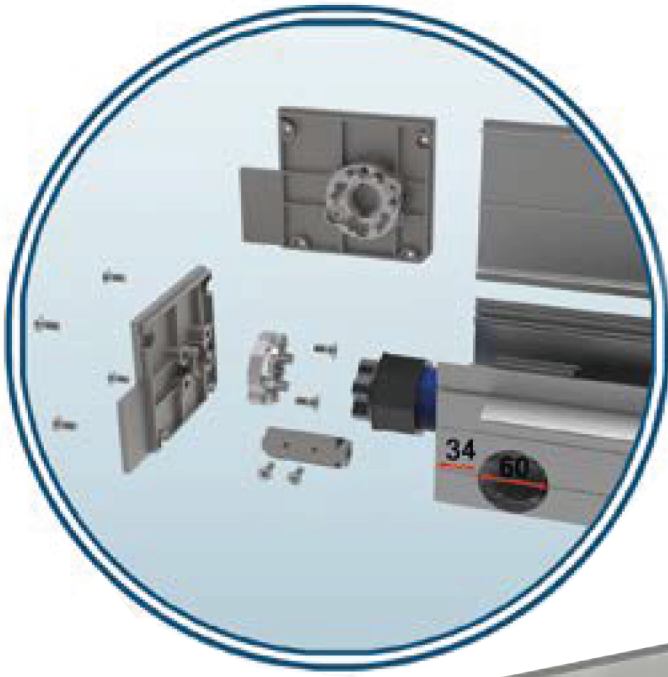
Product Code: PAL-140

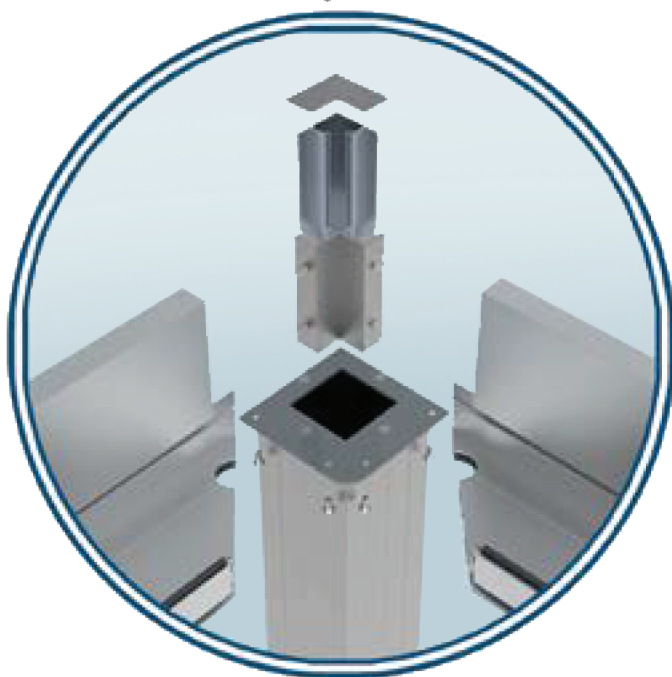
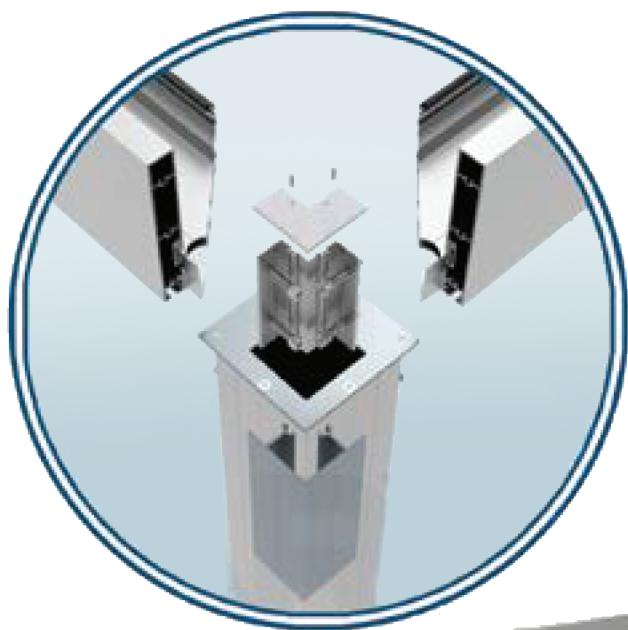


*Aksesorë të motorrit Somfy
Somfy Octagonal Motor Apparatus*

Product Code: PRG-27









1
Tape per fleten
*Panel ë heel And Medium
 Long Bushing*
Product Code: B20 -024



2
Tape mbyllesë 12 e shkorter
Panel Cover Tëelve Short Bushing
Product Code: B20 -027



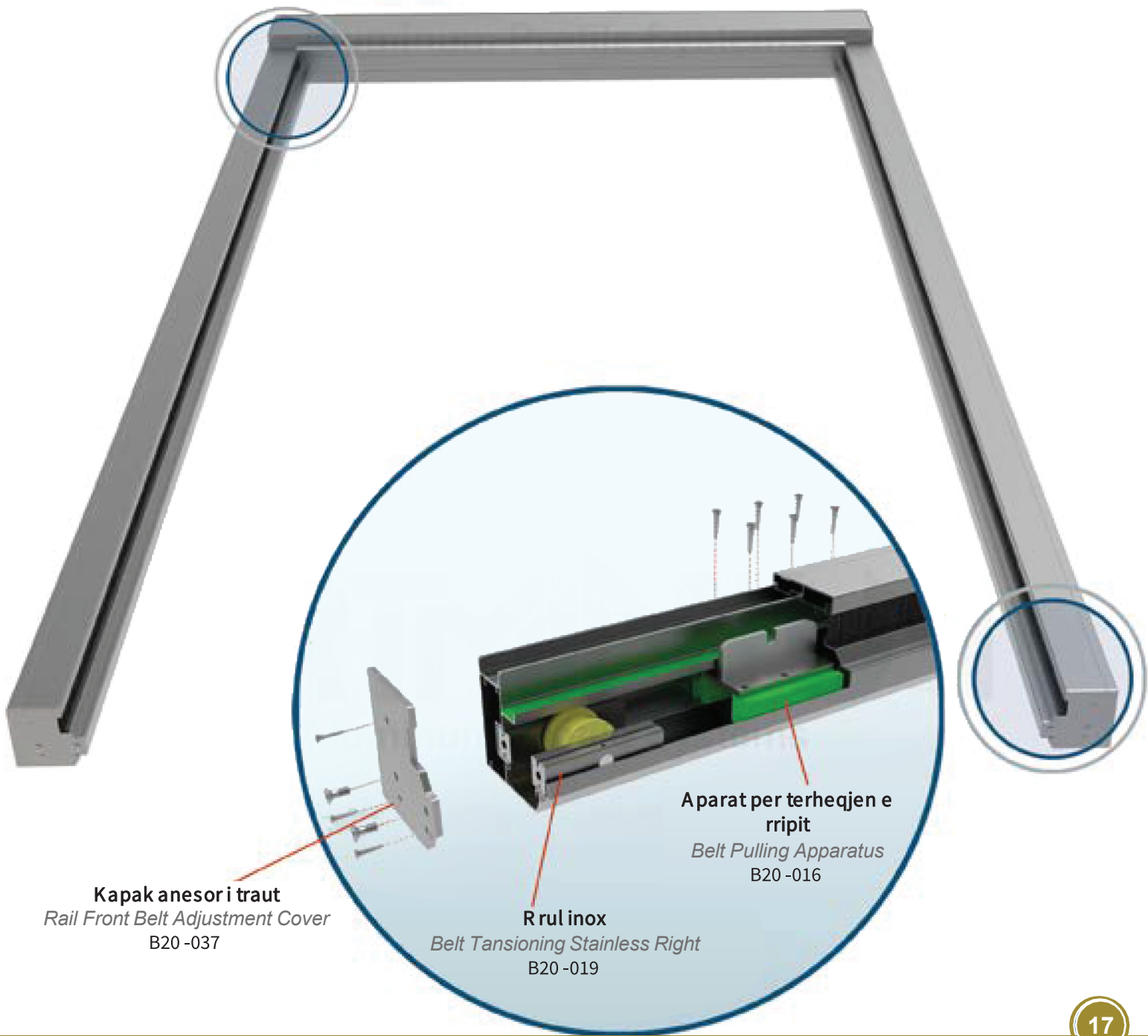
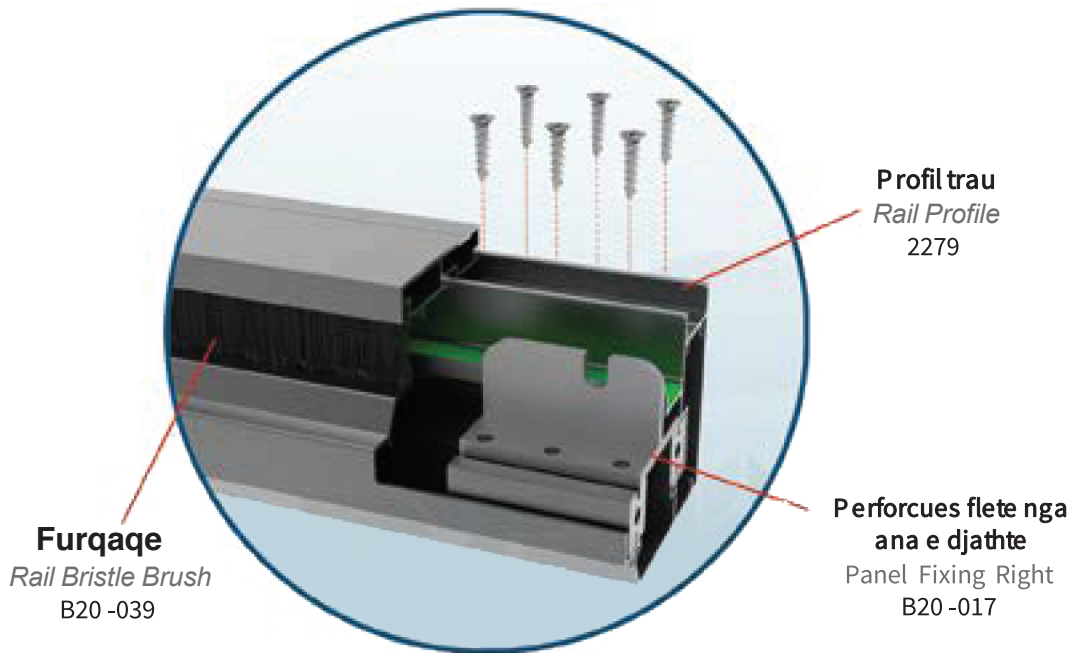
3
Tape mbyllesë e shkorter flete
Panel Cover Short Bushing
Product Code: B20 -026

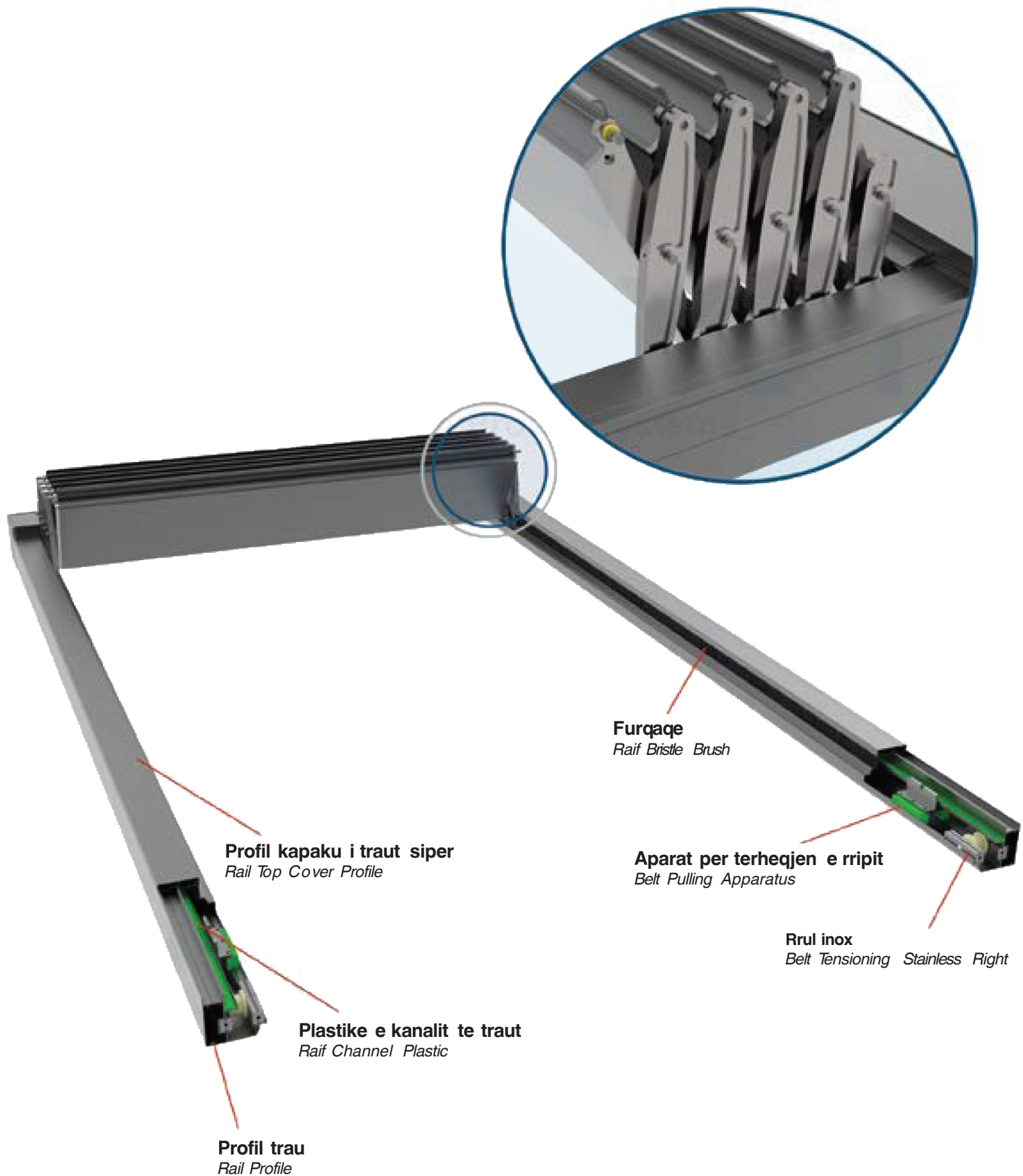


4
Tape mbyllesë e gjate per fleten
Panel Cover Long Bushing
Product Code: B20 -025



5
Tape mbyllesë e aksesorit te sistemit gershere
Scissors Pulley Long Bushing
Product Code: B20 -028















+355 67 60 40 251

+355 68 90 40 258



xhaferrajalumin@gmail.com



www.xhaferrajalumin.al



Adresa 1: Autostrada Tiranë-Durrës | Kashar | Mëzez

Adresa 2: Durrës | Spitalë | Rruga "Miqësia"

Adresa 3: Durrës | tek mbikalimi i Shkozetit | Rruga "Bajram Tusha"